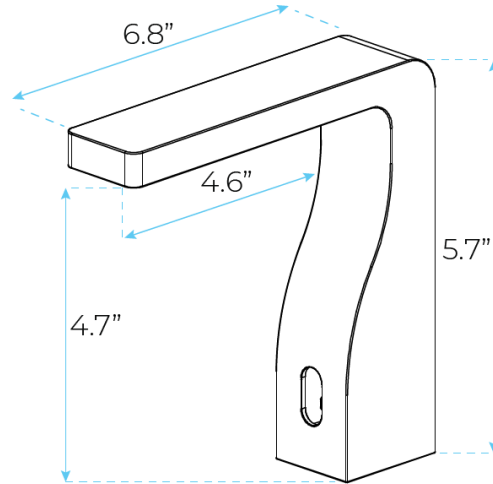


BRAVAT COMMERCIAL OIL RUBBED BRONZE AUTOMATIC HANDS FREE MOTION SENSOR FAUCET SPECS



SPECS :

Power: DC:6V(4AA alkaline battery)

AC:220V-240V; 50/60HZ

Detection Zone: 16-32 cm or adjustable

Motor valve lifespan: up to 500000
flushes

Battery lifespan: 100000 cycles

Static Power Consumption: 0.36mw

Working Power consumption: 0.5mw

Inductive Opening Time: < 1 second

Inductive Closing Time: < 2 second

Flow rate at 3 bar flow pressure for
basin: $\geq 12\text{L}/\text{min}$

Flow pressure: min. 0.5 bar -
recommended 1 -

5 bar

Operating pressure: max. 10 bar

Test pressure: 16 bar

